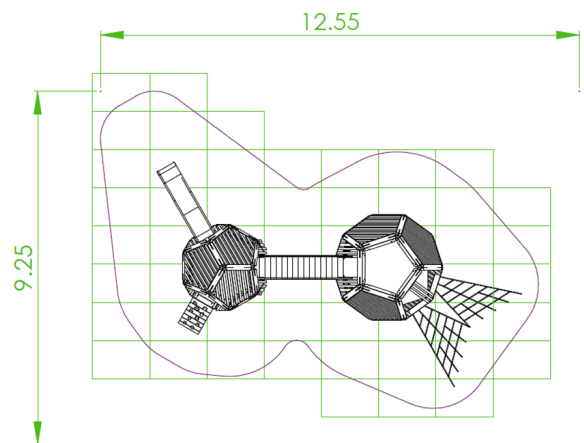
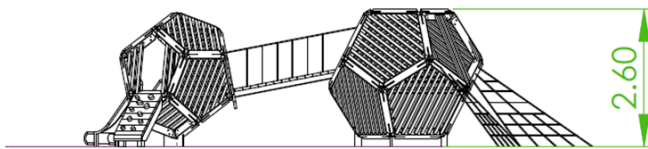


# Product Specification Sheet

## Climbing Frame No.5



Age Range	2 - 5 years
Area Required	12.6m x 9.3m
Critical Fall Height	2.6m
Safety Surfacing	62 sqm

### Product Code CF.1.05

Our climbing frame no.5 consists of two dodecahedron shaped pods linked by a wooden bridge, with internal platforms, a ramp, climbing net, den, and stainless-steel slide.

Materials	Warranties
Stainless steel fixings	30 years
Stainless slides	30 years
Galvanised steel shoes	30 years
Hardwood out of ground contact	30 years
Hardwood in ground contact	20 years
Wire reinforced ropes	5 years

Common spares are stocked in the for a 2-5 day delivery. All of our equipment is designed to be quick and easy to repair.

